

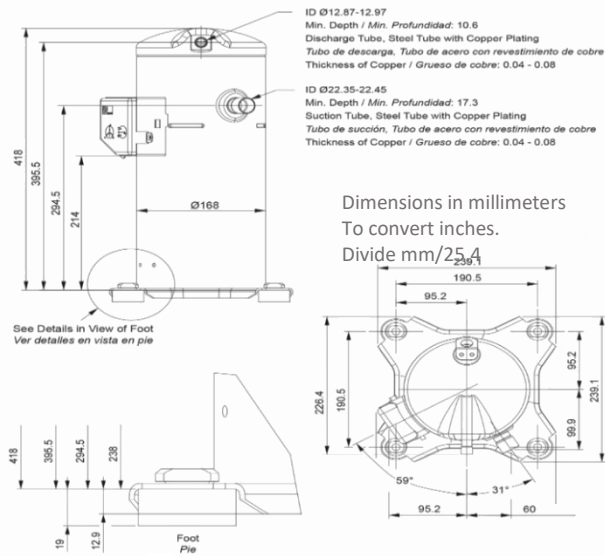
TECHNICAL DATASHEET: YH355C7

Archivo	Revisión	Elaboro	Hoja
YH69A1_TDS.docx	03/2023	RGE	1

TEST CONDITION AHRI-540-2020 HIGH TEMPERATURE/AIR CONDITINING/CHILLERS						REFRIGERANT	59	TOLERANCE
Units	Te	Tc	SH	SC	Tret.	R410A	208-230V /3PH/50-60Hz	± 10%
Imperial °F	45	130	20	15	65			

NOMINAL TEST CONDITION PARAMETERS	Value	Imperial	Value	International	Comments
Frigorific potency	144052	Btuh	42,244	Watt	
Instant energy consumption	13109	Watt	13,109	Watt	
Efficiency BTUh/W (EER) W/W (COP)	10.99	Btuh/W	3.22	W/W	
Nominal current consumption	42.11	A	42.11	A	
Nominal Displacement	7.51	In/Rev	123.0	Cm ³ /Rev.	
Total heat rejection	188,754	Btuh	55,353	Watt	

Mechanical data	
Displacement at 3500 RPM	6.11 CFM
Commercial Horsepower	11HP
Compressor Weight	31 kg (68.2 Lb.)
3GS Oil original charge	1.4 L (49 Oz.)
3GS oil refilling charge	1.25 L (44 Oz.)
Center holes mounting	7.5 x 7.5 in
Required food print	9.5 x 9.5 in
Total height	418mm 16.5 in
Ø Discharge tube	½"
Ø Suction Tube	7/8"
Electrical data	
Max braker protection	15.5A
Locked Rotor Amp. LRA	99A
Voltage range	208 – 230 V AC
Phases	1
Electric supply frequency	50 - 60 HZ
VFD app range	30 - 70 Hz
Run capacitor	
Start capacitor	None
Start relay	None
Crankcase heater	70 W



Frigorific potency in Btuh performance at different conditions in °F								
↓Tc Te→	-13	0	10	20	30	40	50	54
77								
80								
90								
100								
110								
120								
130								
Instantaneous potency in W performance at different conditions in °F								
↓Tc Te→	-13	0	10	20	30	40	50	54
77								
80								
90								
100								
110								
120								
130								

Current consumption in Ampere								
-13	0	10	20	30	40	50	54	
Mass flow in Lb/h								
-13	0	10	20	30	40	50	54	